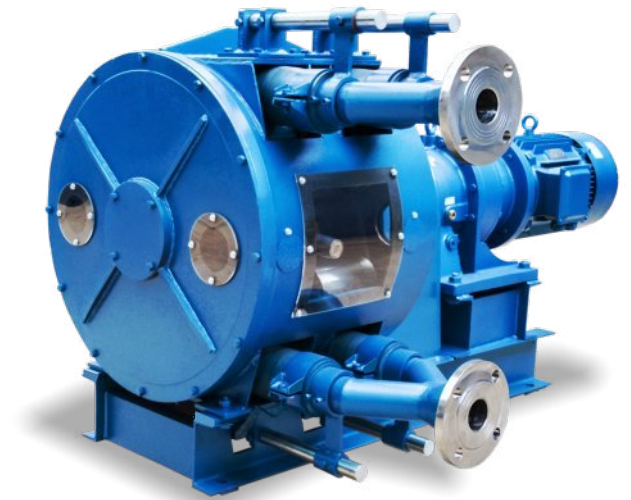


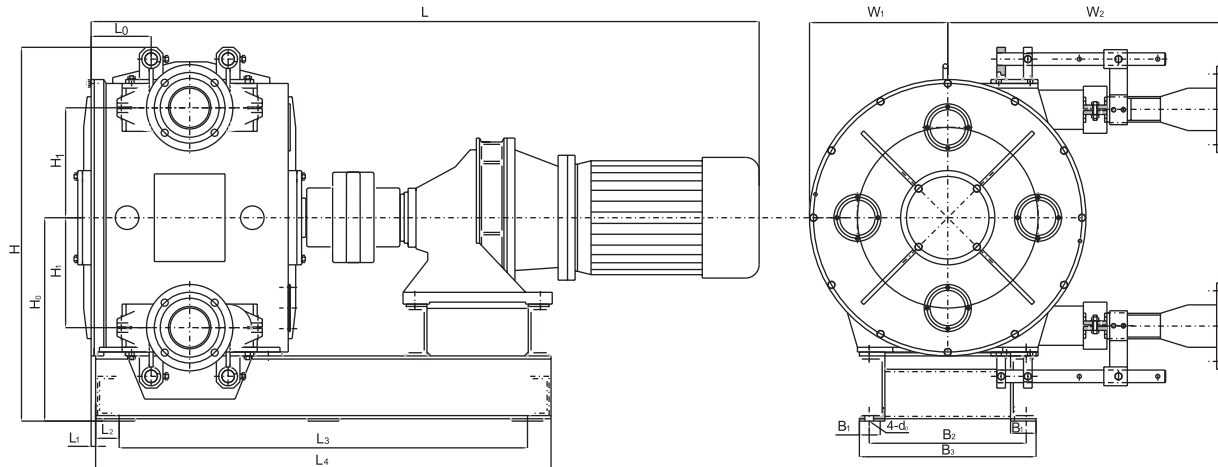
DOUBLE HOSE SERIES

MODEL & SPECIFICATION

Max. Continuous Working Flow Rate (l/h)	SEP10D	SEP65D	SEP65D-25G	SEP75D	SEP90D
	120	25000	26500	35000	60000
Rotation Speed (rpm)	43	43	43	43	25
Rated Power (kW)	0.75	11	11	11	30
Max. Interval Working Flow Rate (l/h)	150	29000	31000	45000	80000
Rotation Speed (rpm)	50	50	50	50	35
Rated Power (kW)	1.1	15	11	15	37
Max. Discharge Pressure (Mpa)	1.0	0.8	0.8 0.8		0.6
Max. Temperature (°C)	90	90	90	90	90

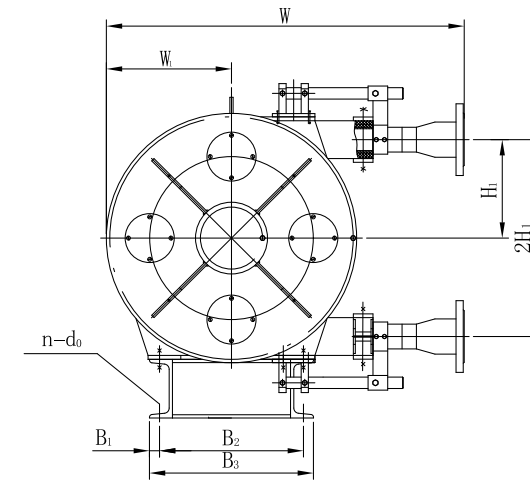
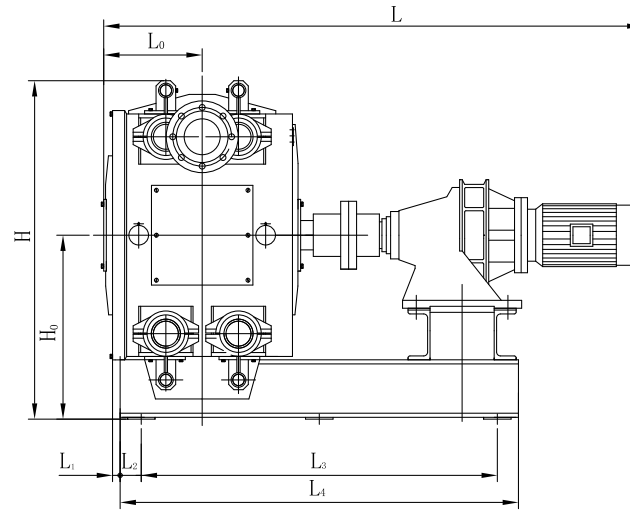


HOUSING: CARBON STEEL
 FRONT COVER: CARBON STEEL
 ROTOR: CARBON STEEL
 SHAFT: EN24T STEEL
 FLANGE: SS304, SS316 FOR OPTION
 MOUNTING BASE: CARBON STEEL
 BEARING: NSK JAPAN
 LUBRICANT: NO NEED
 HOSE: FOOD GRADE

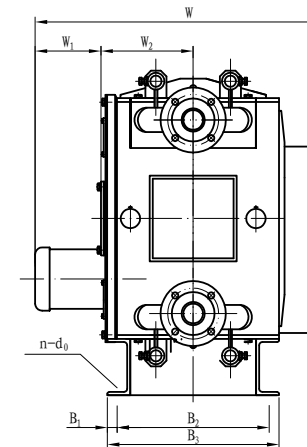
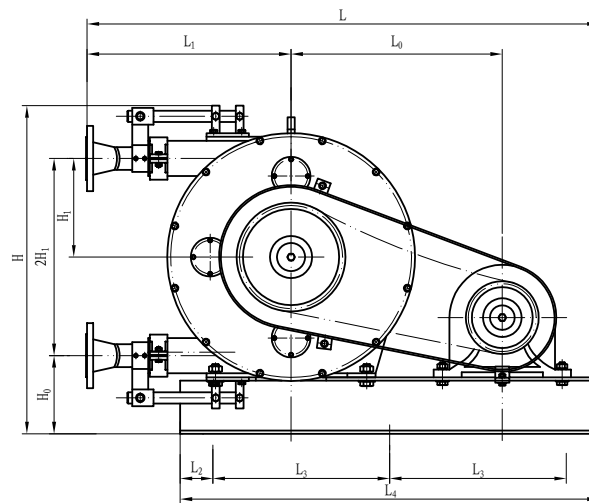


	L	L ₀	L ₁	L ₂	L ₃	L ₄	H	H ₀	H ₁	W	W ₁	W ₂	B ₁	B ₂	B ₃	d ₀	dg	kg
SEP10D	705	101	5	70	270	480	293	174	68	255	90	165	20	110	150	13	20	93
SEP65D	1735	285	12	60	1040	1160	952	518	275	1059	352	707	65	400	450	22	100	736
SEP75D	1890	305	15	67	1160	1294	1022	548	298	1120	390	730	65	440	490	22	100	1030

DOUBLE HOSE SERIES

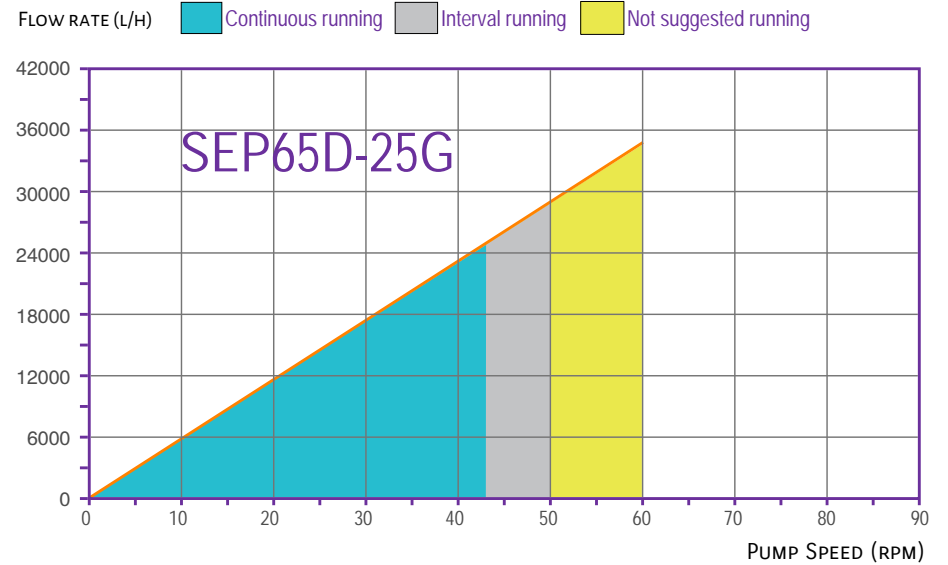
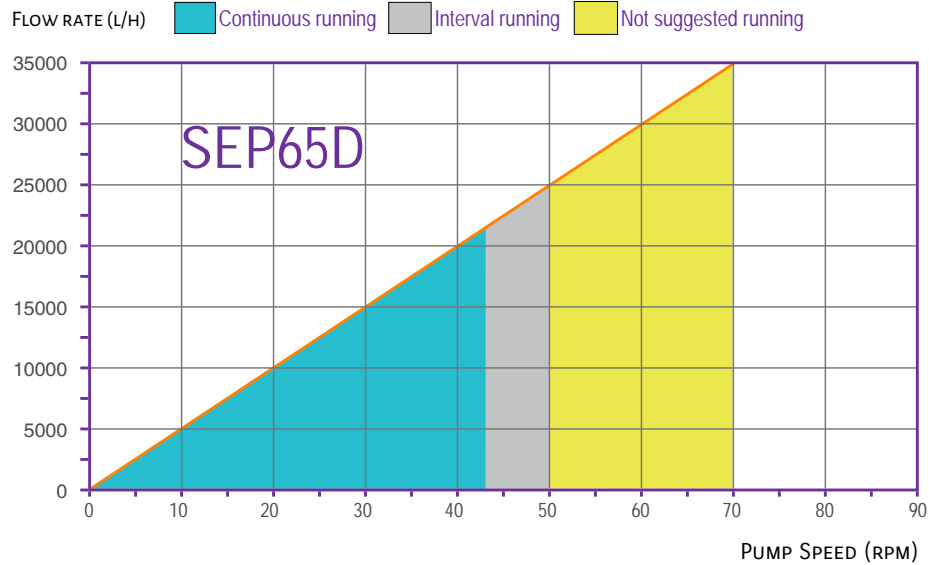
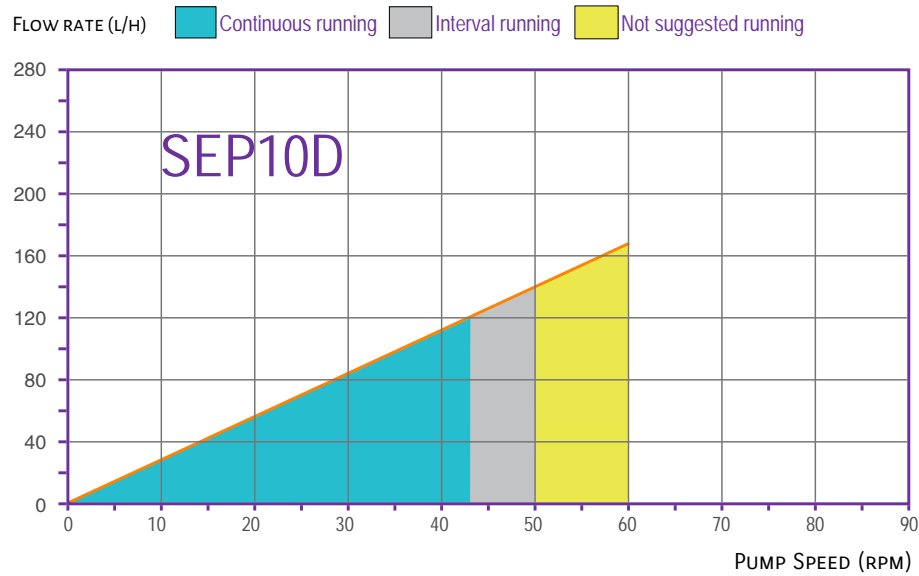
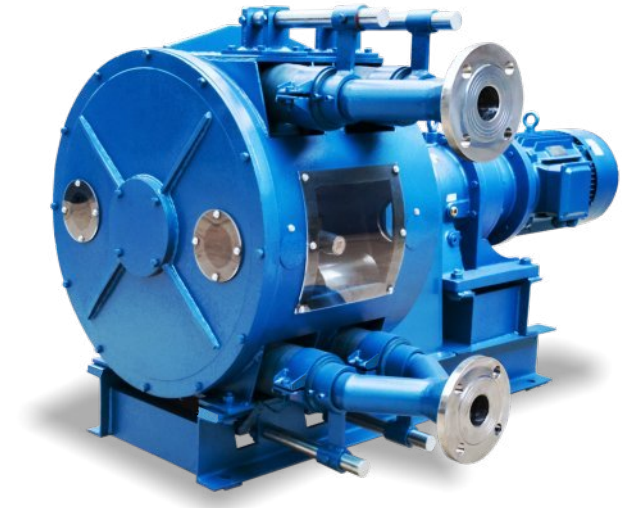


	L	L ₀	L ₁	L ₂	L ₃	L ₄	H	H ₀	H ₁	W	W ₁	B ₁	B ₂	B ₃	n-d ₀	dg	kg
SEP65D-25G	1795	285	13	60	1050	1173	1116	610	347	1211	428	35	480	550	4× 22	100	910



	L	L ₀	L ₁	L ₂	L ₃	L ₄	H	H ₀	H ₁	W	W ₁	W ₂	B ₁	B ₂	B ₃	n-d ₀	dg	kg
SEP90D	2050	1000	790	150	775	1850	1720	295	680	1365	395	318	40	495	575	6× 26	125	1750

DOUBLE HOSE SERIES



DOUBLE HOSE SERIES

