

SINGLE HOSE SERIES

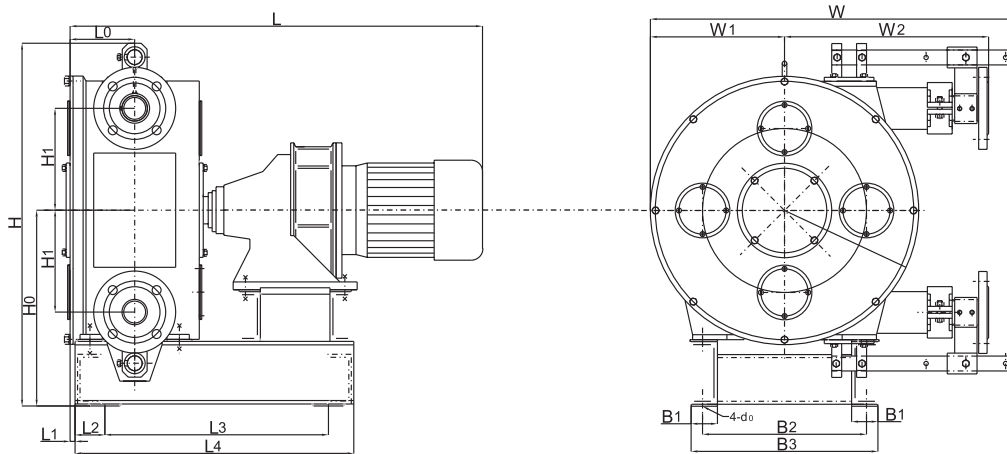


HOUSING: CARBON STEEL
FRONT COVER: CARBON STEEL
ROTOR: CARBON STEEL
SHAFT: EN24T STEEL
FLANGE: SS304, SS316 FOR OPTION
MOUNTING BASE: CARBON STEEL
BEARING: NSK JAPAN
LUBRICANT: NO NEED
HOSE: FOOD GRADE

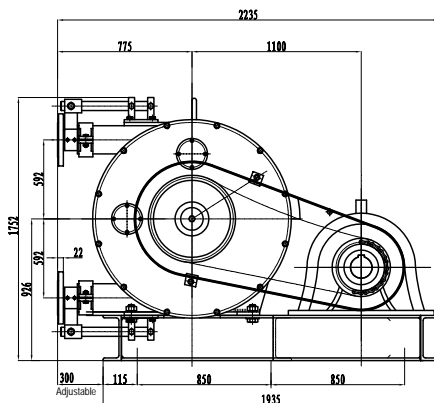
MODEL & SPECIFICATION

	SEP10	SEP20	SEP25	SEP32	SEP40	SEP50	SEP65	SEP75	SEP100	SEP125
Rated Power (kW)	0.37	0.75	1.1	1.5	2.2	4	5.5	7.5	15	22
Rated Flow Rate (l/h)	60	300	500	1000	2500	6000	11000	20000	30000	50000
Max. Discharge Pressure (Mpa)	1.2	1.0	1.0	1.0	1.0	1.0	1.0	0.8	0.8	0.8
Rotation Speed (rpm)	43	43	35	43	50	50	43	50	21	20
Max. Temperature (°C)	90	90	90	90	90	90	90	90	90	90

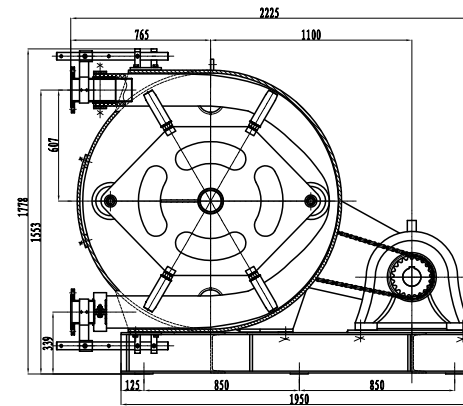
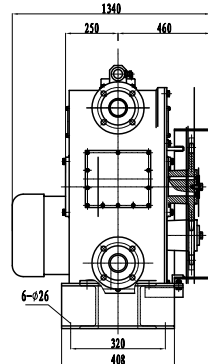
SINGLE HOSE SERIES



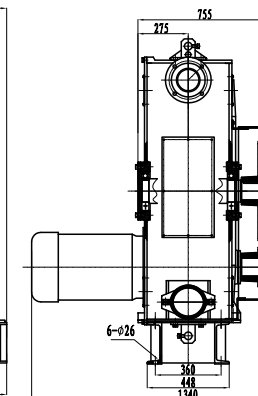
	L	L ₀	L ₁	L ₂	L ₃	L ₄	H	H ₀	H ₁	W	W ₁	W ₂	B ₁	B ₂	B ₃	d ₀	dg	kg
SEP10	535	59	3	60	250	370	292	174	68	250	85	165	20	105	145	11	10	65
SEP20	670	90	8	42	400	485	392	214	92	355	128	246	43	150	185	12	20	85
SEP25	725	100	12	50	400	500	470	258	114	440	154	310	48	240	280	16	25	114
SEP32	680	110	8	45	328	418	535	288	128	554	187	330	48	240	280	16	32	145
SEP40	770	115	8	40	395	475	590	338	158	620	211	369	48	280	320	16	40	195
SEP50	840	138	10	60	450	565	730	394	205	725	270	415	53	330	376	18	50	316
SEP60	980	165	10	65	580	715	944	510	275	907	352	505	65	400	450	22	65	522
SEP75	1075	175	15	99	600	813	1018	562	298	1007	390	645	65	430	480	22	65	655



SEP100



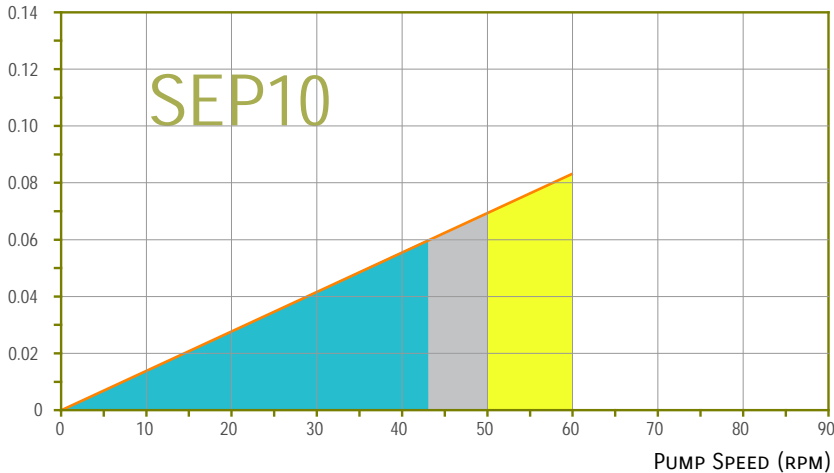
SEP125



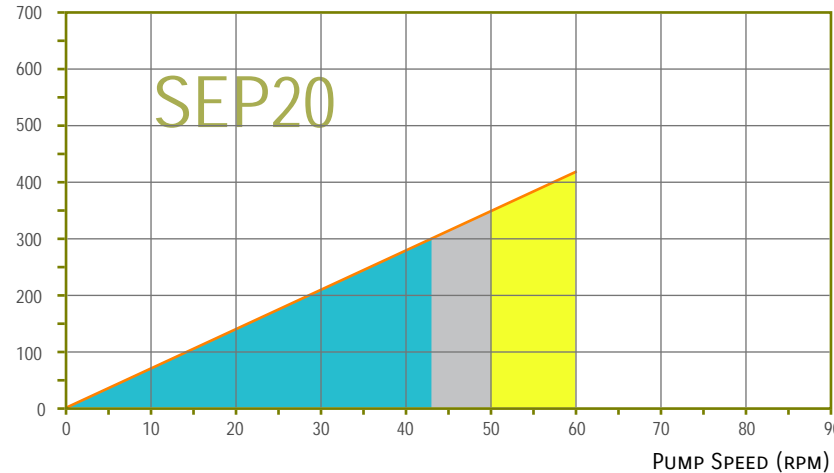
SINGLE HOSE SERIES



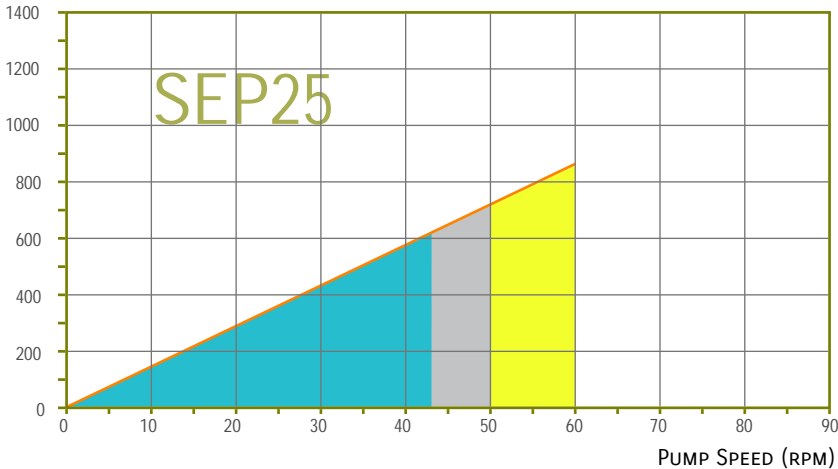
FLOW RATE (L/H) ■ Continuous running ■ Interval running ■ Not suggested running



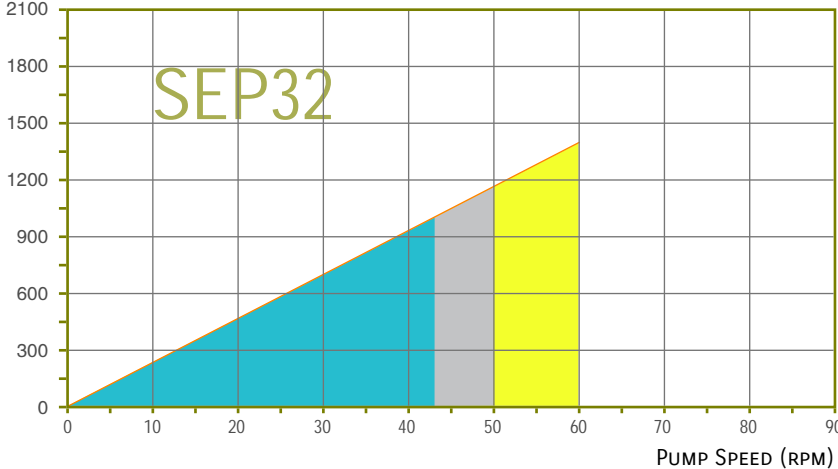
FLOW RATE (L/H) ■ Continuous running ■ Interval running ■ Not suggested running



FLOW RATE (L/H) ■ Continuous running ■ Interval running ■ Not suggested running



FLOW RATE (L/H) ■ Continuous running ■ Interval running ■ Not suggested running



SINGLE HOSE SERIES



SINGLE HOSE SERIES

